



1 relay output module MDA1Y



Microprocessed algorithmic addressable loop device (with short-circuit isolator)

The module loop powered but it requires an auxiliary 30V supply power to provide the necessary energy to the devices controlled by the relays. It supervise the voltage presence in the auxiliary supply line of 30V and in the output of the supervised relays.

The module is protected by 0,9 A resettable fuse and each output is supervised by 0,5 A.

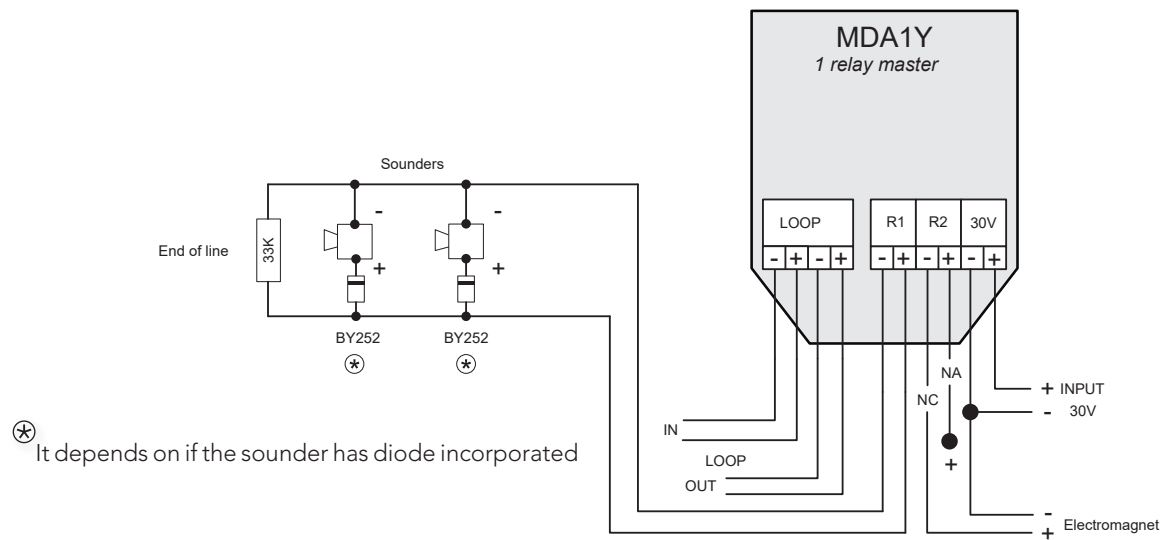
The red Led blinking indicates communication with the control panel, the lit green LED indicates the activation of one or both relays.

It is a module with simultaneous activation (with a single function) of two outputs relay , both in its type of application (siren, activation or pre-alarm), as well as in its timing and combination of sensors that activate them.

The R1 output relay is supervised by a final line resistance of 33 kΩ that indicate the state of opened line or short circuit. The R2 output relay operate as a dry contact NO and NC, not supervised, It is usually used to activate the fire-resistant doors electromagnets. The installation of an external power supply is recommended in case to use more than 10 electromagnets together.

The device is supplied in a rectangular heat-resistant ABS box.

The module is certified according to EN 54-18 Standard, and CE labelled according to the European Regulation of Construction Products (UE) N°305/2011.



TECHNICAL FEATURES			
Power supply	24 - 35V with polarity	Communication indicator	Red light
Standby current	1mA	Humidity	20 - 95%RH
Short-circuit isolator	Yes	Temperature	-10°C - +50°C
Relay supervision voltage	7V with reverse polarity	Dimensions	140,5x73x48mm
Relay output voltage	30V	Standard	EN 54-18
Activation signal	Green light	IP protection	IP30