

Technical signals module

MSTAY



Microprocessed algorithmic addressable loop device (with short-circuit isolator).

It has two inputs to distinguish between the open or close state of a dry contact connected in series with a 10 kΩ resistor. In quiescent condition, the contact has to be open, and in anomaly condition, the contact has to be closed. In the first input (marked with IN1), the closed contact is detected as an ALARM condition. In the second input (marked with IN2), the closed contact is detected as FAULT warning condition. It is possible to associate both inputs having an alarm and fault conditions information.

In the quiescent condition, the device supervises the electrical connection through a 33 kΩ resistor, which allows indication of open electrical connection or short circuit status.

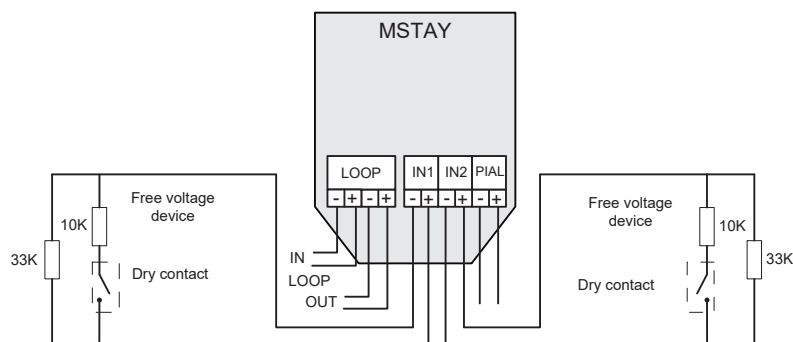
It is usually used to inform about the status of other detection systems associated to Cofem systems, like flow sensors in the case of sprinkler installations, end of stroke for fire-resistant doors, elevators, or level of deposits, etc.

The red Led blinking indicates communication with the control panel, and if it remains lit it indicates the alarm status. The lit green LED indicates activation of one or both inputs.

This device has an output for connection to a remote action indicator, which is activated when in case of alarm status. The technical signals module is a loop powered device.

The device is supplied in a rectangular, heat-resistant ABS box.

The module is certified according to EN 54-18 Standard, and CE mark according to the European Regulation of Construction Products (UE) N°305/2011.



TECHNICAL FEATURES	
Power supply	24 - 35V with polarity
Standby current	1mA
Short-circuit isolator	Yes
Supervision voltage	70V with reverse polarity
Remote indicator output	Yes
Activation signal	Green light
Communication/Alarm indicator	Red light
Humidity	20 - 95%RH
Temperature	-10°C - +50°C
Dimensions	140,5x73x48mm
Standard	EN 54-18
IP protection	IP30