

# Resettable manual call point PUCAY



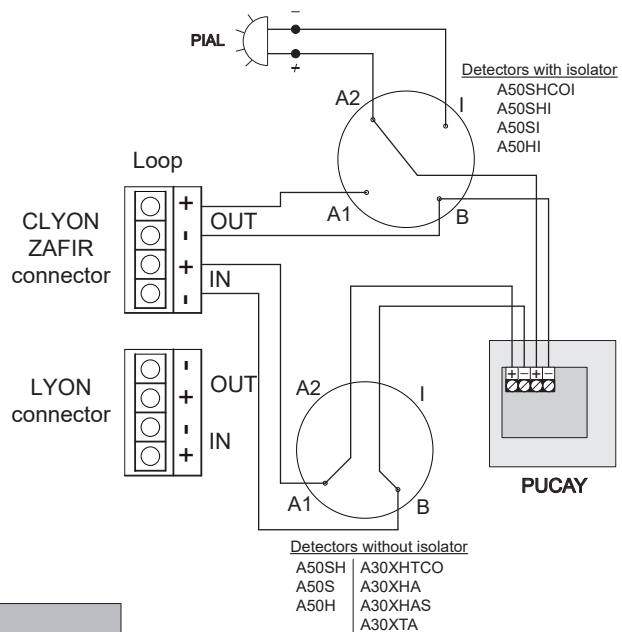
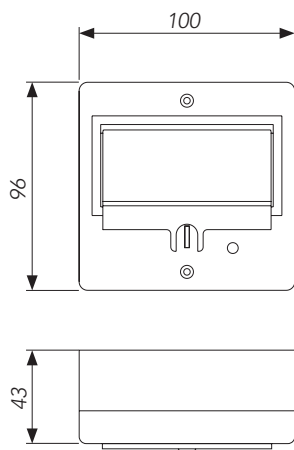
Resettable Manual Call Point (with short-circuit isolator) for algorithmic addressable detection systems.

It has a LED that lights up when the call point is manually triggered (alarm), as well as showing a yellow tab on the lower side of the activation face. A single flash shows communication with the control panel.

It is easy to reset through activation of the yellow button sited in the front face by means of a screwdriver.

Features:

- Easily resettable call point by pushing yellow button on the front side.
- Transparent protector cover to avoid accidental false alarms.
- Self-identified element in the fire detection algorithmic and addressable.
- Communication with the control panel is indicated by a single flash of the LED.
- Immediate visual recognition of alarm status by the permanent activation of the LED, and the trigger of the yellow tab on the lower side of the activation face.
- According to EN 54-11 Standard, and CE mark according to the European Regulation of Construction Products (UE) N°305/2011.



TECHNICAL FEATURES	
Power supply	24 - 35V without polarity
Standby current	1mA
Alarm current	5mA
Activation signal	Red light
Remote indicator output	No
Humidity	20 - 95%RH
Temperature	-10°C - +50°C
Standard	EN 54-11
IP protection	IP50