



Extinguishing control panel

CLVR02EXT



Automatic conventional fire detection and fire alarm control panel with extinguishing functionality.

CLVR 02EXT: 2 zones extinguishing control panel.

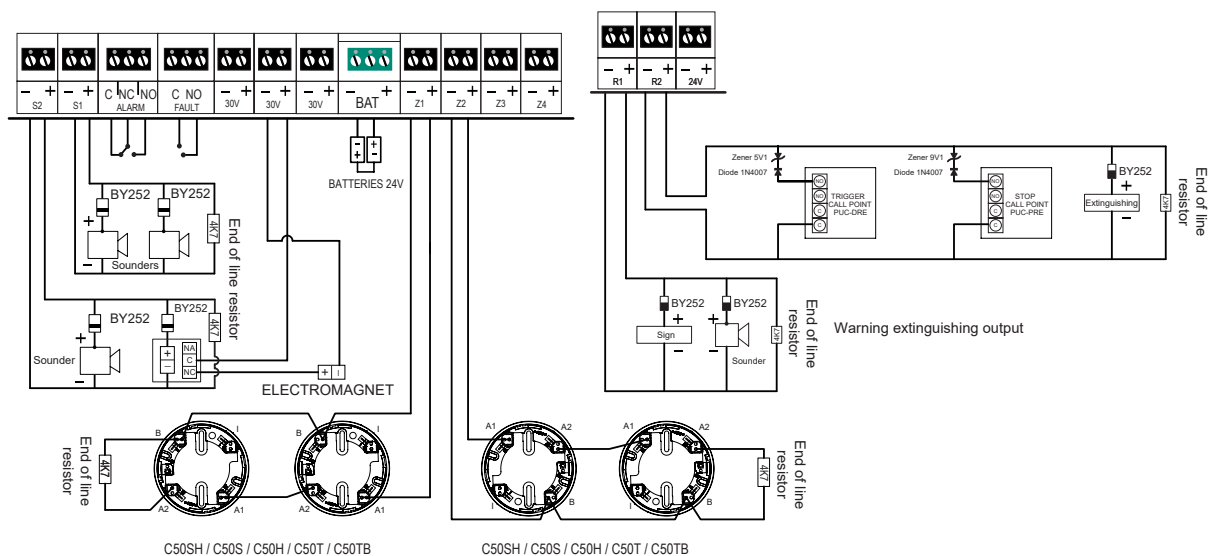
The control panel incorporates a third configurable zone as conventional separate zone from extinction in order to protect against fire small areas close to the flood/extinction zone, or allow the supervision of an external fire protection system giving a fault indication, such as a pressure switch contact.

CLVR control panel characteristics are common among all its models.

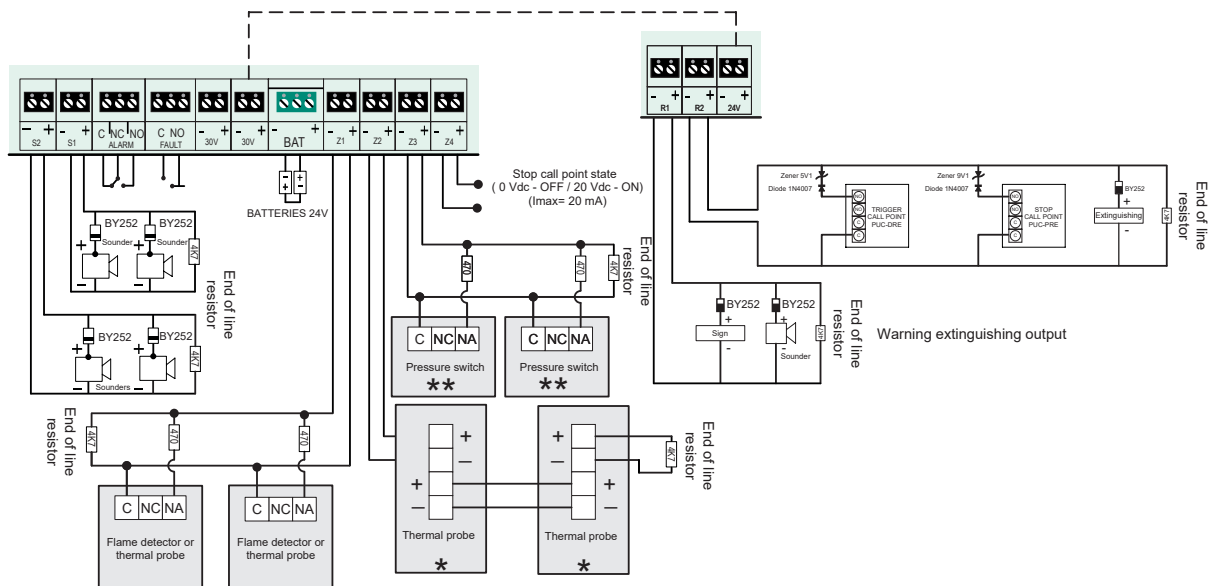
Features:

- 2 zones control panel with extinguishing functionality for conventional detectors and call points use.
- Third additional zone configurable as an alarm and detection zone for conventional detectors and call points or as a monitoring input of an external fire protection system.
- Same technical features as conventional CLVR control panels (2 general sounder outputs, 1 alarm output, 1 fault output, 230Vdc outputs, test mode, threshold setup, metallic cabinet, etc).
- 3 modes of operating extinction:
 - Standard mode: Output R1 of pre-warning is activated with Zone 1 or Zone 2 in alarm status.
 - Consecutive mode: Output R1 is activated intermittently (1 second with Zone 1 or Zone 2 in alarm status, 0,5 seconds with Zones 1 and 2 in alarm status, and continuing once the output R2 delay is finished).
 - Simultaneous mode: Output R1 is activated with Zones 1 and 2 in alarm status.
- Stop and activation extinguishing button directly in the control panel.
- Possibility to install manual stop and activation buttons near the flood zone.
- 1 extinction output ("R2") supervised, temporized supervised, temporized between 0 and 60 seconds, protected by a resettable fuse.
- Delay for R2 extinguishing output reset after extinguishing activation temporized between 0 and 30 minutes.
- Certified according EN 54-2, EN 54-4 and EN 12094-1 with CE mark.

TECHNICAL FEATURES			
Supply voltage	110 / 230VAC 50 / 60Hz	End of line capacitor	4K7
Output voltage	21V nominal	Sounder output voltage	30V/DC
Max. consumption	70VA at 230V/AC	Environmental conditions	-10°C +50°C
Batteries	2 x 12V 7Ah SLA	Dimensions	363 x 331 x 96mm
Extinguishing fuse R1 / R2	0,5A / 0,75A autoreset	Weight (without batteries)	4,3Kg
Batteries charger	500mA 27V/DC 20°C	Standard	EN 54-2 / EN 54-4 / EN 12094-1
Devices per zone	32	30V max current output	1,5A autoreset
Control panel power supply	2,2A	Extinguishing module fuse	1,85A autoreset
Max. current per zone	2mA (in standby)	S1 output sounder fuse	1,85A autoreset
		S2 output sounder fuse	0,75A autoreset



Example of connection with extinction



Example of wiring diagram with flame detectors, thermal probes and pressure switches