



Exclusive firefighter extinguishing system DRY PIPE

The dry pipe is a fire installation of exclusive firefighter use, consisting of a vertical 3" pipe with water connections in the different floors of the building fire.

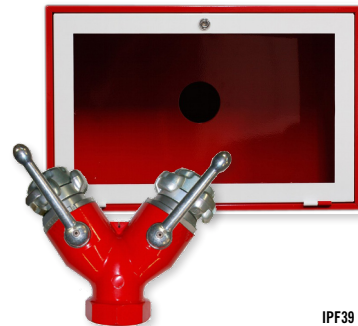
This pipe delivers water from an initial entry on the floor at street level, to the different connections on the floors of the building.

- IPF 41: Connection on the building front in cabinet or manhole with inscription "Use exclusive fire department", consisting of a twin connection of 2 inputs of $\varnothing 70$ mm.
- IPF 39: Output in floor building installed in cabinet or manhole, consisting of a twin connection of 2 outputs of $\varnothing 45$ mm
- IPF 40: Output in floor building with the same features of IPF39, with cut valve in the main pipe.

Installation according to R/D 513/2017.



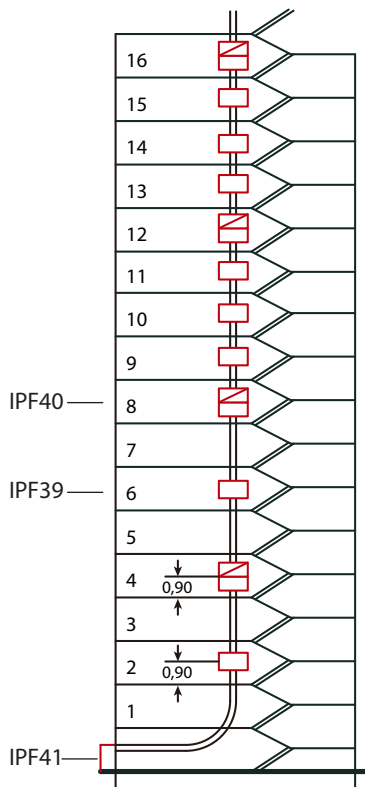
IPF41



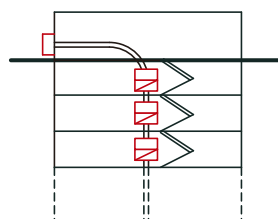
IPF39



IPF40



Ascending dry pipe



Descending dry pipe