



Stand alone smoke and CO detectors

EYEHOME



Range of gas detectors for domestic, autonomous, use with possibility of connection to the supply (220-230V) or 12VDC, with operating indicator, that emits an optical and acoustic in case of alarm.

-Keeper CO: made of black ABS plastic to detect carbon monoxide.

CO (carbon monoxide) is a highly toxic gas produced basically by any type of poor combustion, in addition to by internal combustion engines.

Keeper CO is especially suitable for the detection of CO in places such as garages, boilers rooms, kitchens, living quarters with heaters or gas stoves, etc.

-Keeper GAS: made of grey ABS plastic to detect natural gas, methane, propane and butane.

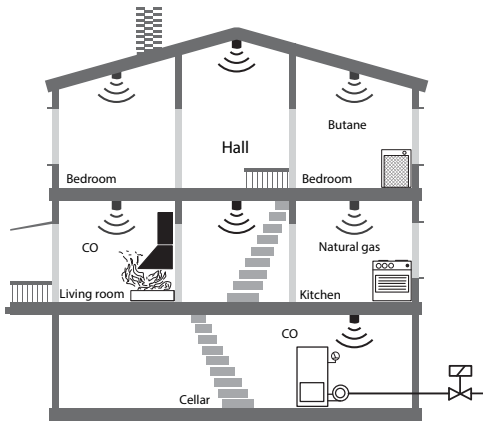
The escaping gas or shut-off flame in boilers, kitchens, living areas with gas stoves or heaters, etc, can cause a high concentration of combustible gases indoors, with the danger of explosion that it entails.

Keeper GAS is particularly suitable for the detection of combustible gases common in places such as those mentioned above.

Features:

- Domestic detectors fed by supply (220-230V) or 12V DC.
- Operating indicator (green led), optical signal (red led) and acoustic of alarm.
- It incorporates a heat sensor that is activated at a temperature of 84°C.
- Detector with relay option allows the connection with a repeater unit (alarm distance), with a shut off of gas supply control system, or a control panel alarm.
- Particularly suitable for garages (only Keeper CO),boilers rooms, kitchens,areas with gas stoves or heaters, etc.
- Design according European normative EN 50194.
- Size: 140,5 x 73 x 48 mm.

TECHNICAL FEATURES	
Maximum consumption	3W
Dry contact intensity	9Vdc - 100mA / 230Vac - 0,5A
Standard	EN 50194 type A
Dimensions	140,5x73x48mm
Humidity	20 - 95% RH
Operating temperature	-10°C to 50°C
Approximate coverage	25m ²
Sensor life	10 years
Lower explosive limit (LEL) - Keeper GAS	10%
Detection sensibility - Keeper CO	300ppm



MODELS

DAG and DACO:

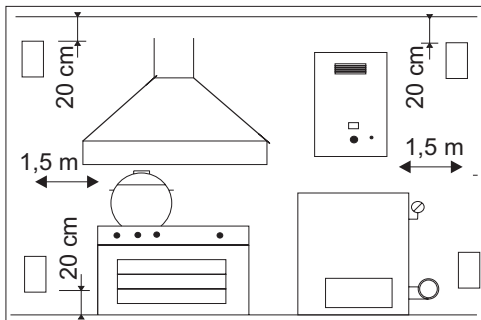
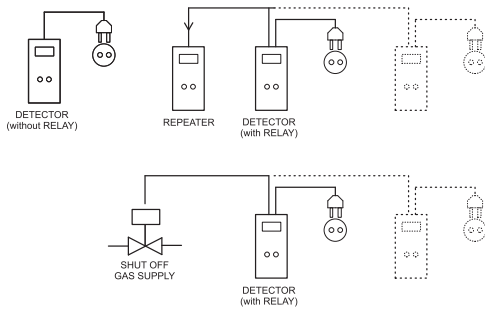
With supply at 230VAC and 9Vdc output.

DAGR and DACOR:

With supply at 230VAC and 9Vdc output and relay with dry contact NO/NC for manoeuvres.

DAGR12 and DACOR12:

With supply at 12Vdc and relay with dry contact NO/NC for manoeuvres.



INSTALLATION NOTES

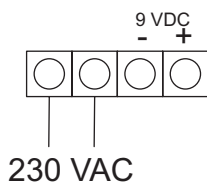
Always more than 1,5 m from sources of heat, smoke and vapours.

Keep CO: 20cm from the roof.

Keep GAS:

- Light gases (city gas, natural gas, etc.) at 20 cm below the ceiling.
- Hard gases (propane, butane) at 20 cm from the floor.

Wiring diagram for 230VAC supply



Wiring diagram with relays for 230VAC or 23Vdc supply (according to model)

