



Luminous alarm signs

LLH / LLHST / LLH23 / LLH65



The extinguisher system allows the possibility of including extinguisher signs.

As the triggering of an extinguishing system may entail certain risks and dangers, the function of the extinguisher sign is to warn the staff of the areas sensitive to the imminent triggering of the system or when the system has been triggered.

Three types of extinguisher signs are available:

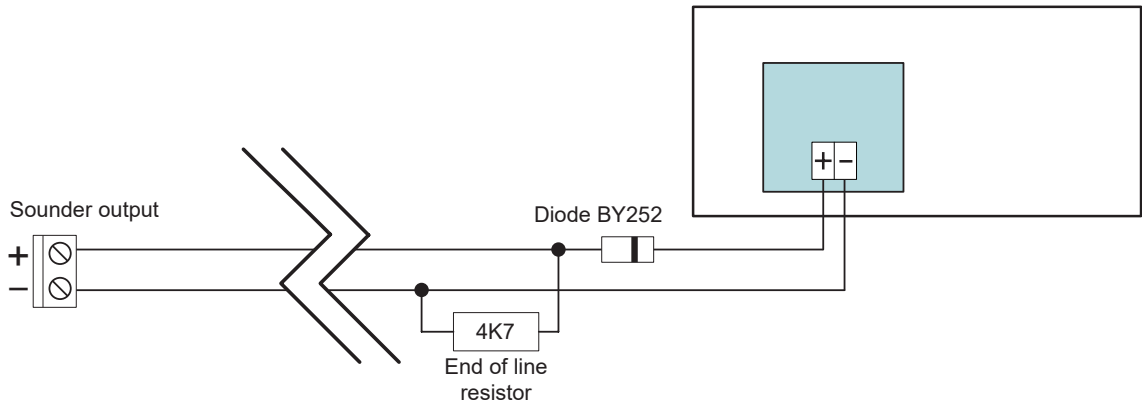
- 1) LLHST: Device with acoustic and luminous warning function.
- 2) LLH: Device with acoustic, luminous and informative sticker warning function.
- 3) LLH23: Device with EN 54-3 acoustic and EN 54-23 luminous functions and adhesive sticker warning.
- 4) LLH65: Device with acoustic and luminous functions for outdoor, protection IP65 and adhesive sticker warning.

The third device must always be used in such installations that do not have other EN 54-3 and EN 54-23 fire warning devices.

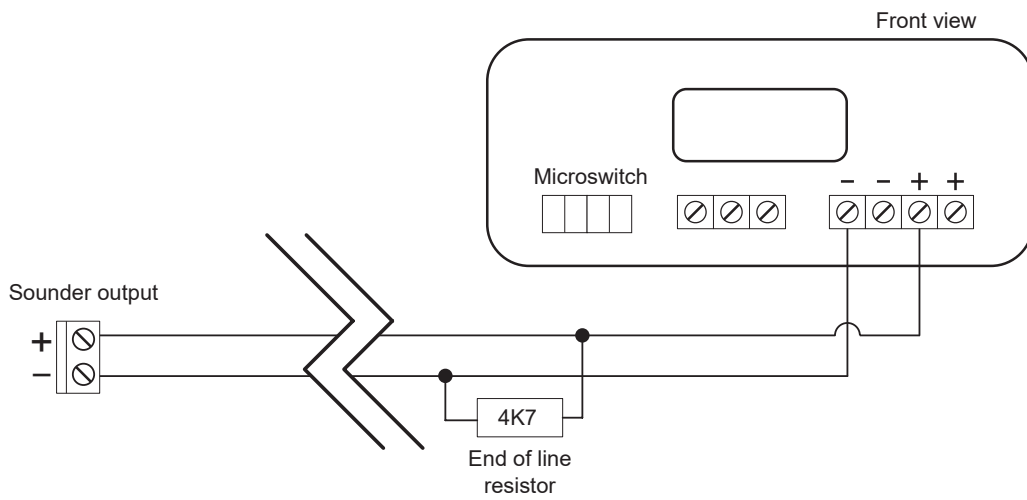
LLH and LLHST LUMINOUS SIGNS	
Signs to be connected directly to the outputs of the control panels or to the relay modules With indicator sticker	
Operating voltage	12-30Vdc
Maximum consumption	80mA at 30 Vdc
Power	80dB at 1m
IP protection	IP40
Standard	EN 60598 / EN 60598-2-1 / EN 61457 / EN 55015
Temperature	0 to 40°C
Humidity	95%RH
Dimensions	262x100x51
Weight	340gr
Jumper	fixed / intermittent illumination
	active / non-active buzzer

LLH23 LUMINOUS SIGN	
Optic acoustic alarm sign certified as per EN 54-3 and EN 54-23. Available with several selectable audio tones	
Nominal voltage	24Vcc
Consumption	82mA at 30Vdc
Category	W-3,6-9
Power	71 - 91dB
IP protection	IP21C
Standard	EN 54-3 / EN 54-23
Temperature	-10°C to +55°C

LH65 LUMINOUS SIGN	
Optic acoustic alarm sign for outdoor	
Nominal voltage	10,8Vdc at 28Vcc
Consumption	105mA at 24Vdc
Power	100db at 1m 12V
	108db at 1m 24V
IP protection	IP65
Temperature	-10°C to +55°C



LLH / LLHST diagram



LLH23 diagram

Note: The LLH23 sign has the diode incorporated