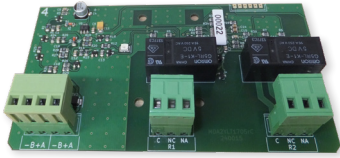


2 relay output module

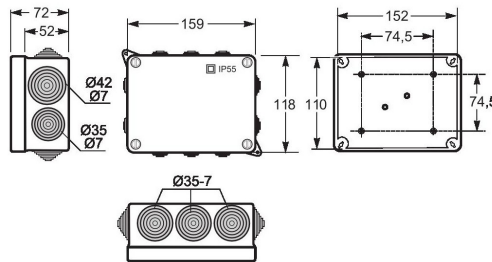
MDA2YLT



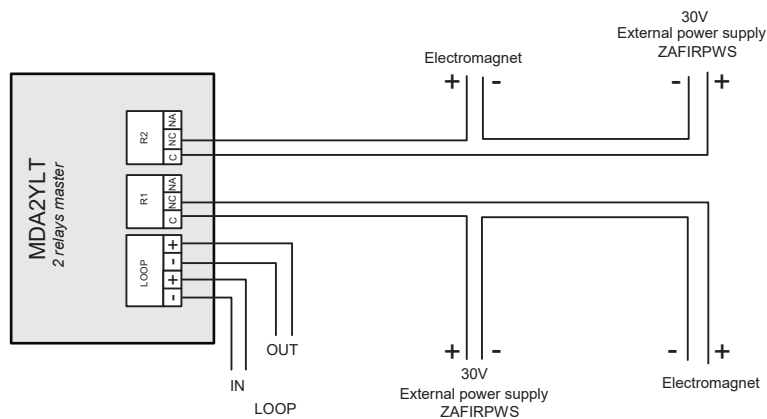
Microprocessed and algorithmic-addressable module (with short-circuit insulator) which is installed as one more element in the loop.

The modules are powered by the loop connection, requiring no outside power. The blinking red transparent LED shows there is communication with the control panel. The fixed lit red transparent LED indicates that one or both relays have been triggered.

This is a module with two relay outputs that are separately activated (two functions), independent timing, as well as a combination of sensors that activate them. The R1 and R2 outputs are voltage free C/ NC/ NA. Using this module, we can control fire doors and gates.



Assembly box dimensions



TECHNICAL FEATURES			
Power supply	24 - 35 with polarity	Communication indicator	Red light (blinking)
Standby current	1mA	Humidity	20 - 95%RH
Activated consumption	4mA	Temperature	-10°C - +50°C
Loop isolator	Yes	Dimensions	159x118x72mm
Maximum resistive load	5A / 250VAC	IP protection	IP55
Activation indicator	Red light (fixed)		