



Output input module MYOA - MYOAF



Microprocessed algorithmic addressable device (with short-circuit isolator) installed as another element inside the loop.

This module has one relay output fed by external 30V and one technical signal input to distinguish the open or closed state of a dry contact. The Module is protected by 0,9 A resettable fuse and the relay by 0,5 A.

This module is electrical fed through the loop connection, but it is required auxiliary 30V for feeding the equipment's connected to the relay output "R1". The relay is configured with only one function (sounder, switched or crossed relay), but also in its timing and in the combination of sensors that activate it. The module monitors the presence of voltage in the auxiliary supply line of 30V and in the output of the monitored relay. The voltage output of the relay is 30V.

The technical signal input has a 10 kΩ resistor connected in series with the dry contact. In quiescent condition, the contact has to be open, and in anomaly condition, the contact has to be closed. In the input (marked with IN2), the closed contact is detected as ALARM condition.

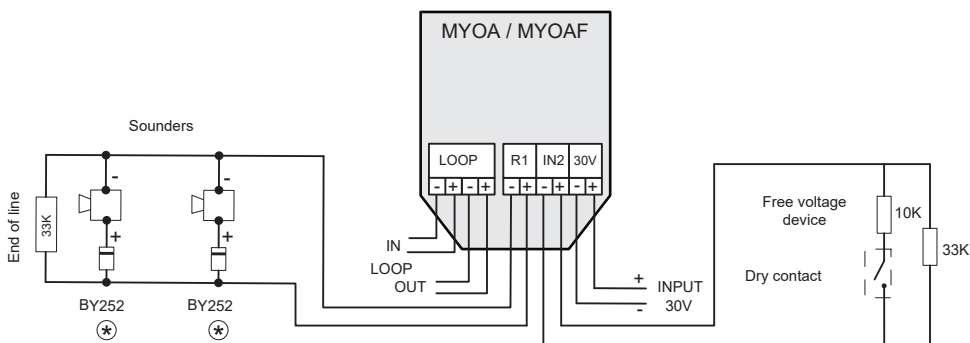
There is also the MYOAF version, which is identical to the MYOA, except that the closed contact is detected as a fault.

The MYOA supervises each external line (relay output and technical signal input) through a 33kΩ each one, which allows indication of open or closed electrical connection status.

The flashing of the transparent red LED indicates communication with the control panel, the fix light of red led indicates the alarm status of the input, and the illuminated green LED indicates the activation of the relay.

The Relay and Technical Signal Module is placed in a rectangular, head-resistant ABS box.

The module is certified according to EN 54-18 Standard, and labelled according to the European Regulation of Construction Products (UE) N°305/2011.



⊗ It depends on if the sounder has diode incorporated

TECHNICAL FEATURES			
Power supply	24 - 35 with polarity	Communication/Alarm indicator	Red light
Standby current	1mA	Humidity	20 - 95%RH
Short-circuit isolator	Yes	Temperature	-10°C - +50°C
Supervision voltage	7V with reverse polarity	Dimensions	140,5x73x48mm
Remote indicator output	No	Standard	EN 54-18
Activation indicator	Green light	IP protection	IP30