

Extinguisher call points

PUC-DRE / PUC-PRE



Manual call points for the shut-down and triggering of extinguisher systems using gaseous agents.

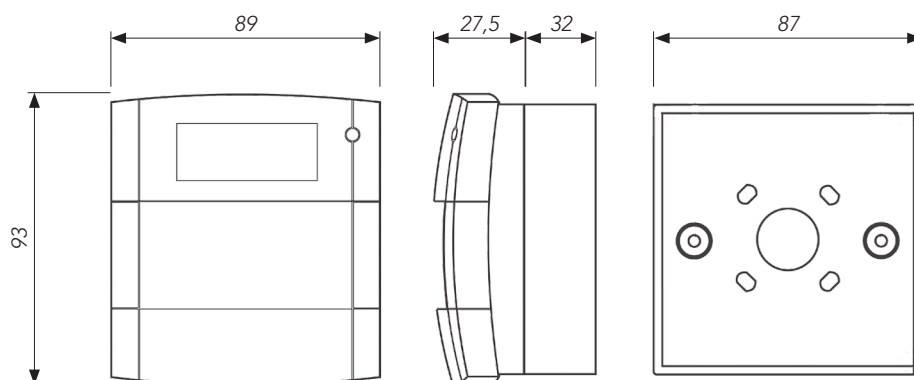
The call points are actuated by breaking a fragile component (glass).

Fitted with a protective cover to prevent accidental activations.

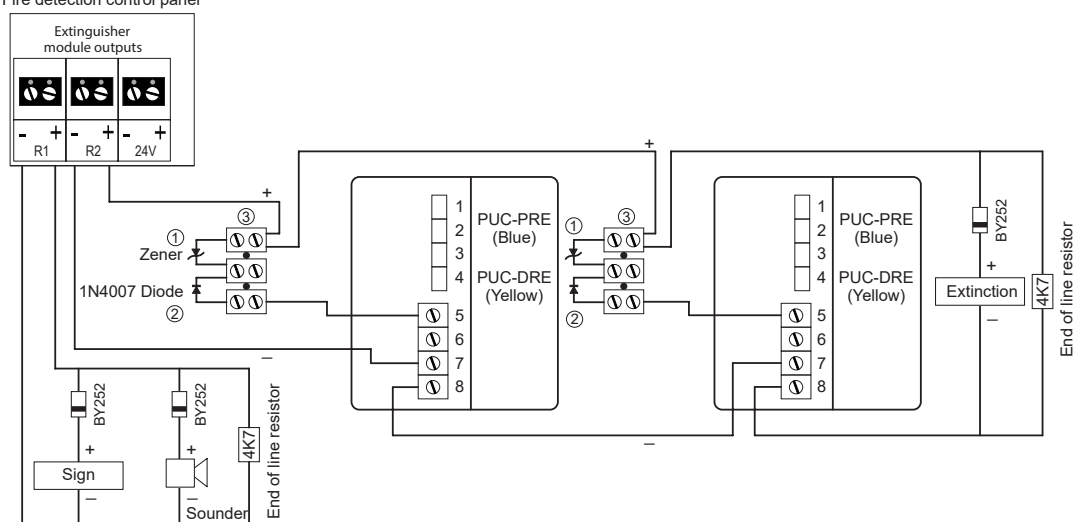
The PUC-DRE model is the yellow extinguisher triggering call point, based on standard EN 12094-3.

The PUC-PRE model is the blue extinguisher shut-down call point, based on standard EN 12094-3.

TECHNICAL FEATURES	
Maximum voltage	30Vdc
Alarm consumption	35mA
Humidity	93%RH
Temperature	-10°C to +55°C
IP protection	IP24D
Standard	EN 12094-3



Fire detection control panel



Note 1: Zener 5V1 for PUC-DRE call point. Zener 9V1 for PUC-PRE call point

Note 2: 1N4007 diode

Note 3: Strip

Note 4: PUC-DRE and PUC-PRE can be placed in any order on the connection line.

Components (1), (2) and (3) come with the call point