

External power supply

PWS03/05



External switched-mode power supply.

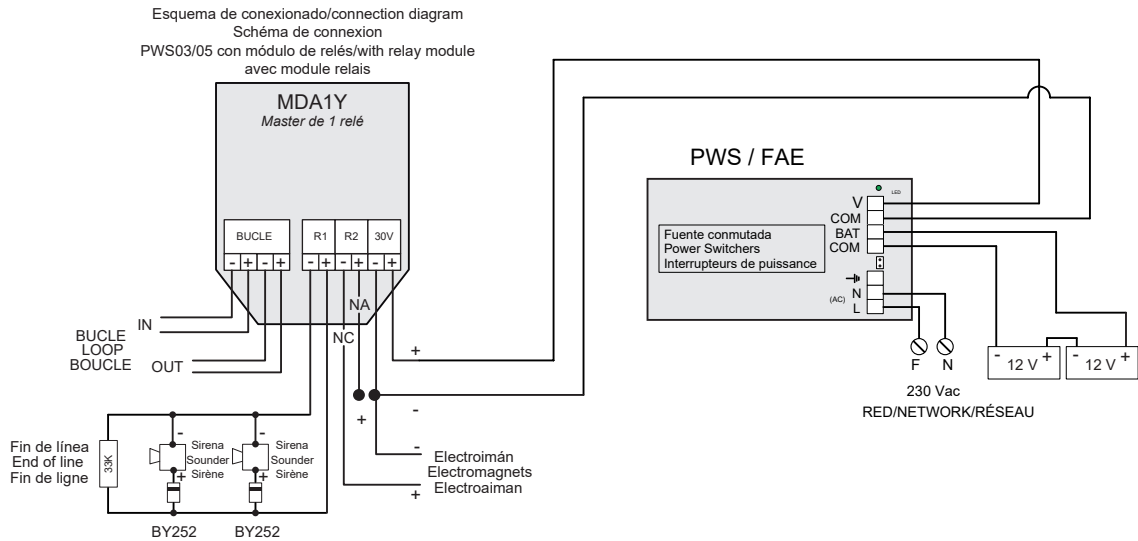
There are 2 models depending on the system's power requirements:

- PWS03: 3A (100W) supply capacity.
- PWS05: 5A (155W) supply capacity.

The PWS is offered installed inside a 416x321x132 mm cabinet (without inside door), which provides additional space for the necessary batteries inside.

Features:

- Supply capacity of 3A (PWS03 model) or 5A (PWS05 model).
- PWS incorporated in a cabinet, which allows the necessary batteries to be installed inside it.
- Metallic cabinet.
- Incorporated battery charger
- Existing variant with London finish cabinet (FAE03Y / 05Y).



TECHNICAL FEATURES	
Supply	230V/AC 50Hz
Output voltage	30V/DC
Standby consumption	100mA
Output current	FAE03: 3A / FAE05: 5A
Battery charger	Yes
Humidity	20-95%RH
Temperature	-10°C - +50°C
Dimensions	416x321x132mm (without door)
IP protection	IP30