

# KABY

## LOOP ISOLATOR MODULE

### Loop isolator module certified EN 54-17

Microprocessed algorithmic element installed as another element inside the loop (It is not addressable – There is not need to configure this element).

This is a protection element that is connected into the detection loop, with the aim of isolating stretches with crossed line failures, and allowing therefore the rest of the loop to operate normally.

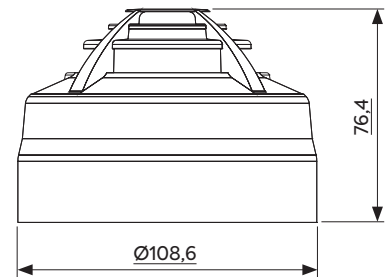
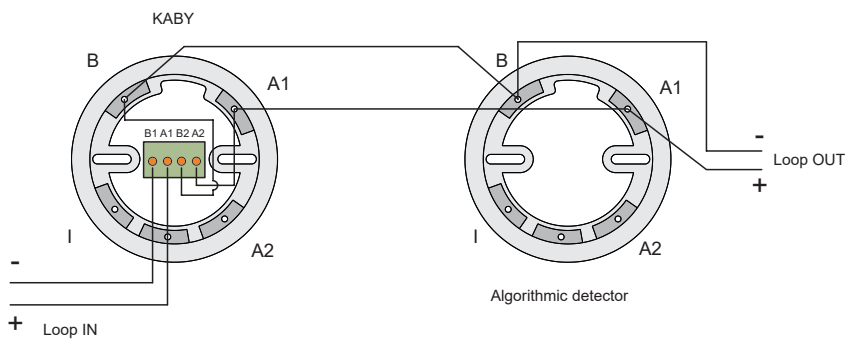
It is supplied installed inside of a high base. This assembly allows having it in the same place as the detector, making easy the connection of the loop wiring.

We recommend installing a module or element with isolator, minimum every 32 elements of the loop.

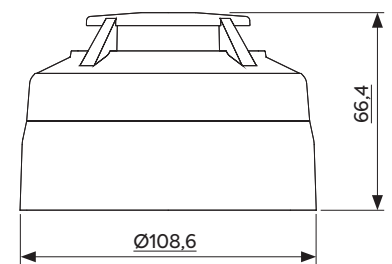
The base has two stickers in the outer side with the word "KABY" to allow easy recognition.

The element is feed from the loop connection.

The module is certified according to EN 54-17 Standard, and CE labelled according to the European Regulation of Construction Products (UE) N° 2024/3110.



Assembly for  
A30XHA



Assembly for A30XTA /  
A30XHAS

#### TECHNICAL FEATURES

Power supply	24 - 35V with polarity	Humidity	20 - 95% RH
Standby current	110µA	Temperature	-10°C - +50°C
Short-circuit isolator	Yes	Standard	EN 54-17
Remote indicator output	No	IP protection	IP 30