



SIRENDL / SIRENDB



SIREND

SIREND SIRENDL SIRENDB

ALARM SOUNDER

Certified addressable alarm sounders

Certified addressable sounder and visual alarm device.

The SIREND sounder is an acoustic fire alarm notification device for buildings with EN 54-3, EN 54-17 certification and CE mark.

The SIRENDB sounder is an acoustic and visual fire alarm notification device for buildings with EN 54-3, EN 54-17 certification and CE mark.

The SIRENDL sounder is an acoustic and visual fire alarm notification device for buildings with EN 54-3, EN 54-17, CE mark and additionally EN 54-23 certification.

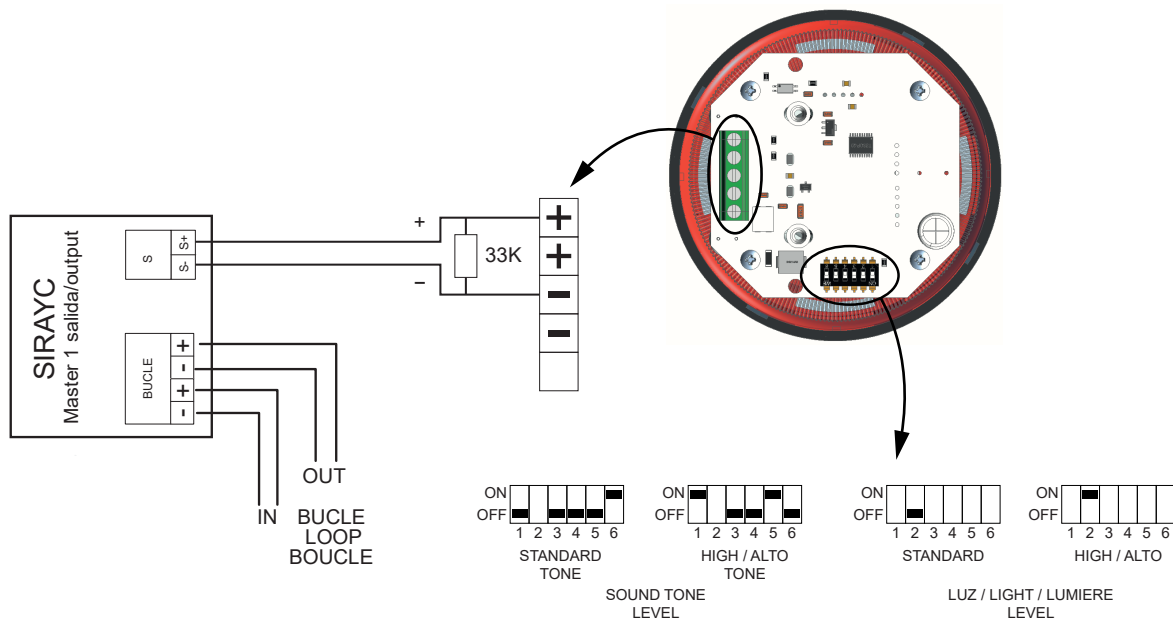
These sounders have a microprocessed addressable digital module (with short-circuit isolator) SIRAYC inside, which allows them to connect to the loop. The unit operates as a single relay, identifying itself and acting in the control panel as a SIRAY.

The sounder is made of heat-resistant red ABS.

The standard configuration of the sounder sound is shown in the following figure in accordance with standard EN 54-3 (acoustic device). The same figure shows the standard configuration of the light signal in accordance with standard EN 54-23 (SIRENDL visual alarm device).

It is possible to change the tone and light signal selection, but this operation affects the sounder's power consumption and, therefore, the device's point consumption. Power consumption can be calculated using the loop element capacity calculation software.

The internal wiring and positions of other microswitchs must not be modified from those selected by the manufacturer in these instructions.



TECHNICAL FEATURES			
Power supply	24 - 35V with polarity	Standard	EN 54-3: SIREND, SIRENDB
Standby current	1mA		EN 54-23: SIRENDL
Alarm current	6 - 35mA	IP protection	IP65
Short-circuit isolator	Yes	Standard sound intensity	93 dB -1m Tone Sweep 1s 800-970Hz
Operative temperature	-10°C - +55°C	High sound intensity	105 dB -1m Tone Sweep 1s 2400-2850Hz
Dimensions	Ø98x78mm	Light intensity (SIRENDL)	W-2,4-2,6/W-3,2-6,8 0,5Hz